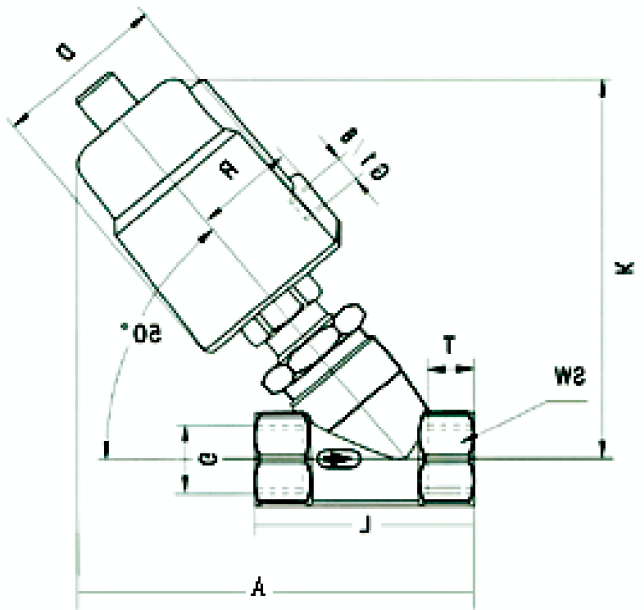


STAINLESS STEEL ACTUATED ANGLE SEAT VALVE



SPECIFICATIONS

Stainless Steel Actuated Angle Seat Valve
 Angle Pattern Pneumatic Globe Valve
 Investment Cast Stainless Steel Body
 PTFE or EPDM Soft Seat
 Ends threaded to BS21
 Pressure rating PN16



OVERALL DIMENSIONS - (in mm)

Joint size (inch)	Actuator (mm)	A	D	G	K	L	SW	R	T
G½	50	133	60	½"	126	68	26.6	35	15
G¾	50	137	60	¾"	131	75	32	35	16
G1	50	149	60	1"	140	90	39.5	35	17
G1	63	174	77	1"	165	90	39.5	43	17
G1¼	63	188	77	1¼"	175	116	50	43	21
G1½	63	190	77	1½"	178	120	55.3	43	20
G2	63	203	77	2"	184	138	70	43	22

STANDARD TYPE

Control form	Straight motion	Valve body material	Stainless steel CF8M
Structure	Oblique seat valve	Valve core material	Stainless steel
Joint size	G½ - G2	Valve core sealing	PTFE / EPDM
Viscosity	600mm ² /s	Piston sealing	FKM
Medium temperature	PTFE: -10°C - +200°C EPDM: -10°C - +80°C	Installation	Any position
Environment temperature	-10°C - +60°C	Controlled medium	Air and neutral gas