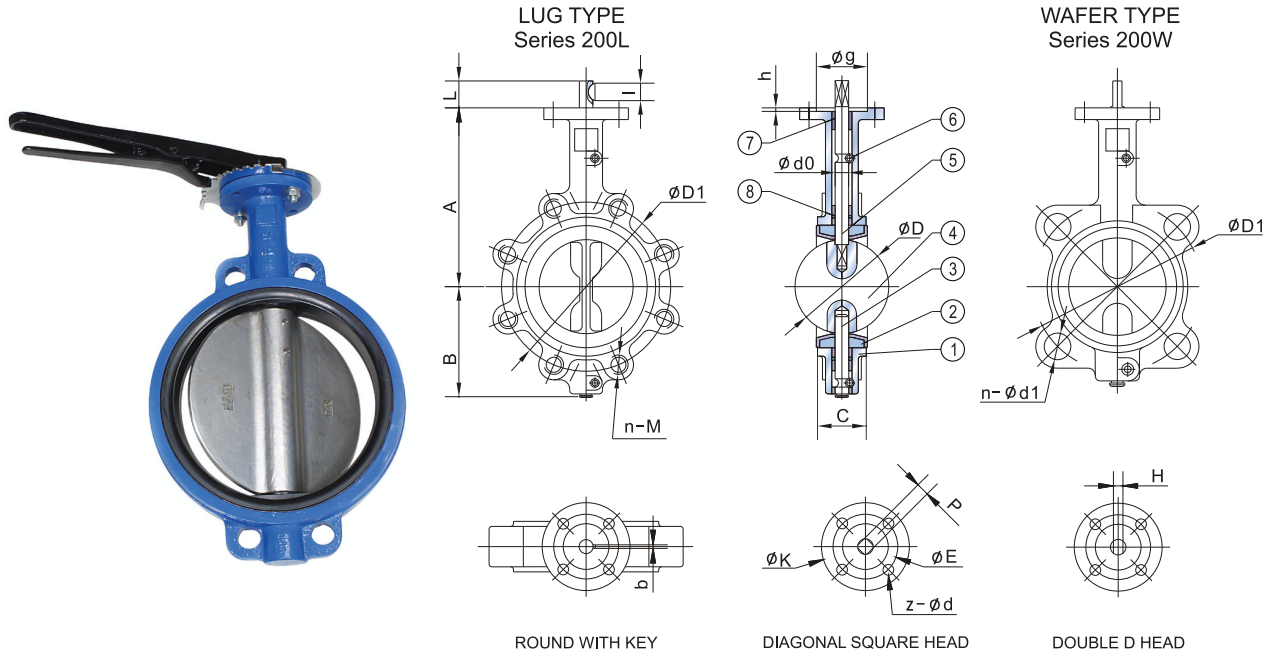


CAST IRON WAFER BUTTERFLY VALVE - PN16



SPECIFICATIONS

Wafer or Lugged type
 Manufactured to BS 5155
 Flanges to BS, DIN, ANSI
 Mounting Pad Flange to ISO5211
 Working Pressure: PN16



DIMENSIONS (in mm)

SIZE		A	B	C	D	L	d0	P	H	KEY	UPPER FLANGE					ANSI 150			DIN PN10/16			Weight (kg)	
in	DN									bXI	K	E	z-d	g	h	D1	n-d1	M	D1	n-d1	M	Wafer	Lug
2	50	161	80	42	52.6	32	12.6	9	10	3x16	77	50	4-7	35	3	120.5	4-19	5/8"	125	4-18	M16	2.5	3.8
2½	65	175	89	44.7	64.5	32	12.6	9	10	3x16	77	50	4-7	35	3	139	4-19	5/8"	145	4-18	M16	3.2	4.2
3	80	181	95	45.2	78.8	32	12.6	9	10	3x16	77	50	4-7	35	3	152.5	4-19	5/8"	160	4/8-18	M16	3.8	4.7
4	100	200	114	52.1	104	32	15.77	11	12	5x19	90	70	4-9	55	3	190.5	8-19	5/8"	180	8-18	M16	4.9	9.0
5	125	213	127	54.4	123.3	32	18.92	14	14	5x19	90	70	4-9	55	3	216	8-22	3/4"	210	8-18	M16	7	10.9
6	150	226	139	55.8	155.6	32	18.92	14	14	5x19	90	70	4-9	55	3	241.5	8-22	3/4"	240	8-23	M20	7.8	14.2
8	200	260	175	60.6	202.5	45	22.1	17	17	5x19	125	102	4-12	70	3.5	298.5	8-22	3/4"	295	8/12-23	M20	13.2	18.2
10	250	292	203	65.6	250.5	45	28.45	22	22	8x28	125	102	4-12	70	3.5	362	12-25	7/8"	350/355	12-23/27	M20/M24	19.2	26.8
12	300	337	242	76.9	301.6	45	31.6	22	24	8x28	140	102	4-12	70	3.5	432	12-25	7/8"	400/410	12-23/27	M20/M24	32.5	40

MATERIALS OF CONSTRUCTION

Item	Part Name	Material
1	Body	Cast iron, Ductile Iron, Carbon Steel, Stainless Steel
2	Seat	NBR, EPDM, PTFE, Viton, Neoprene, Hypalon, Silicon
3	Lower Shaft	Stainless Steel 416, 316
4	Disc	Ductile Iron+Ni (Nylon/Epoxy), CF8, CF8+PTFE(PFA) CF8M, CF8M+PTFE(PFA), Bronze
5	Upper Shaft	Stainless Steel 416, 316
6	Locating Pin	Carbon Steel
7	Bushing	PTFE
8	O Ring	NBR, EPDM