

STAINLESS WAFER DISC CHECK VALVE - PN40



SPECIFICATIONS

Face to Face conforms to DIN 3202 part 3-K4

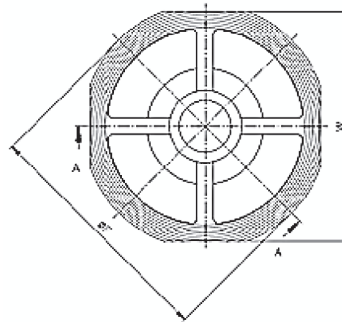
Investment Cast Body

Pressure rating PN40

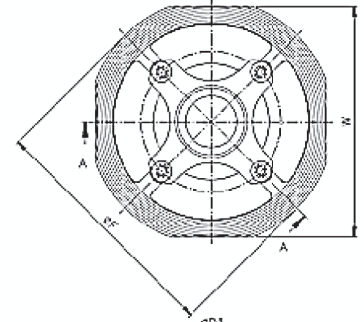
Test and inspection API 598

MATERIALS OF CONSTRUCTION

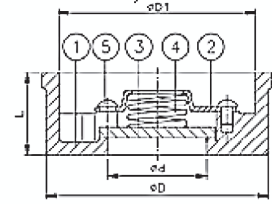
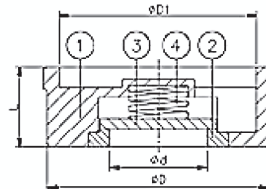
PART NAME	MATERIAL
Body	ASTM A351-CF8M / 1.4408
Retainer	AISI 316
Disc	AISI 316
Spring	AISI 316
Screw	AISI 316



1/2" ~ 2"



2-1/2" ~ 4"



DIMENSIONS (in mm)

DN	d	D	D1	F	W	L	Weight in kg
15	15	41	34	53	45	16	0.1
20	20	46	37	63	55	19	0.16
25	25	56	46	73	65	22	0.28
32	32	74	63	84	79	28	0.52
40	38	86	76	94	89	31.5	0.7
50	50	96	83	107	99	40	1.1
65	62	115	103	126	118	46	1.58
80	76.5	131	117	144	134	50	1.76
100	96	150	132	162	154	60	3.3