



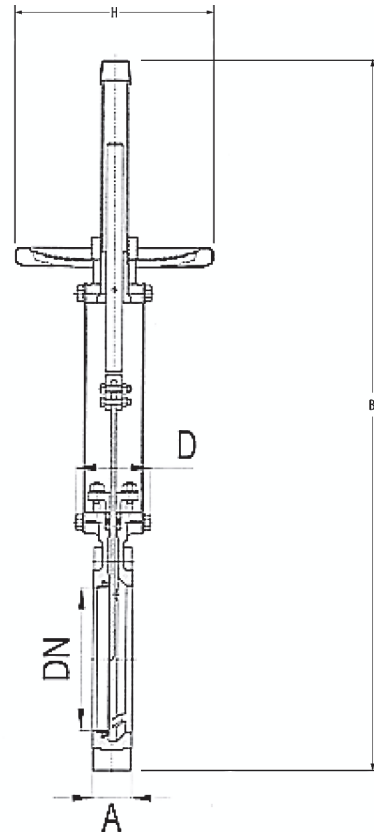
CAST IRON KNIFE GATE VALVE - PN16

SPECIFICATIONS

- Face-to-face dimensions Non-Standard
- Testing DIN3230
- Working temperature: NBR ≤ 80°C, EPDM ≤ 120°C

MATERIALS OF CONSTRUCTION

BODY	Cast Iron	SS304 / SS316
GATE	SS304 / SS316	SS304 / SS316
SEAL	NBR	EPDM
PACKING	PTFE	PTFg



DIMENSIONS (in mm)

DN		SIZE (mm)							WEIGHT
mm	inches	A	B	C	D	F	P	H	kg
50	2	40	240	124	83	¼	80	412	8
65	2½	40	265	139	83	¼	80	458	9
80	3	50	290	154	83	¼	80	502	10
100	4	50	335	174	83	¼	100	562	13
125	5	50	373	189	93	¼	25	642	18
150	6	60	424	220	93	¼	125	718	23
200	8	60	533	275	108	¼	160	882	39
250	10	70	625	326	108	¼	200	1044	57
300	12	70	732	380	108	¼	200	1164	74
350	14	96	835	438	290	⅜	250	1362	127
400	16	100	945	494	290	⅜	250	1542	138
450	18	106	1040	547	290	½	250	1677	176
500	20	110	1150	613	290	½	300	1842	209
600	24	110	1354	716	290	½	300	2147	250
700	28	110	1540	835	400	½	350	2542	410
800	32	110	1750	972	400	½	400	2852	562