

## CAST IRON BALL VALVE - Screwed PN16



### SPECIFICATIONS

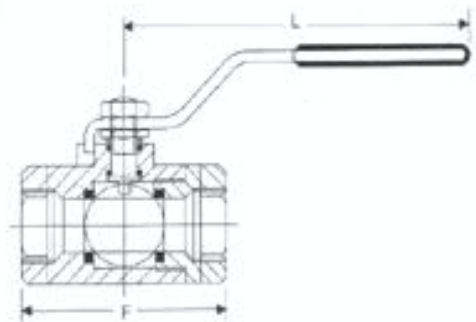
'SANT' Cast iron ball valve
Stainless Steel Ball
Teflon seats & seal
Inside spindle type
MS Handle with PVC Sleeve
Screwed female (IS:554-1985)
Class 125
Conforming to IS:9890-1981
Maximum recommended working pressure 200 Psig (14 bar g)
Maximum recommended working temperature 200°C

### TESTING & CERTIFICATION

Body Test Pressure	300 Psig Hyd.
Seat Test Pressure	200 Psig Hyd.
	100 Psig Air

### APPLICATION

Water
Oil
Gas



### DIMENSIONS (in mm)

Nominal Size	F	L
15	72	150
20	87	150
25	100	172
32	121	140
40	121	203
50	135	203
65	151	260
80	172	260
100	217	385

### MATERIALS OF CONSTRUCTION

Components	Material	Material Specification
Body	Cast Iron	IS:210 Gr.FG220
Ball	Stainless Steel	AISI 304
Spindle	Stainless Steel	AISI 410
Body seats & Gland seals	Teflon	PTFE
Stopper, Gland Nut, Handle & Fasteners	Mild Steel	IS:2062
Handle sleeves	PVC	-
Gaskets	CAF	IS:2712 Gr. W/1