



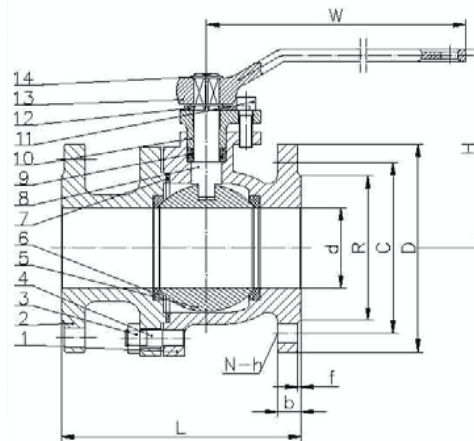
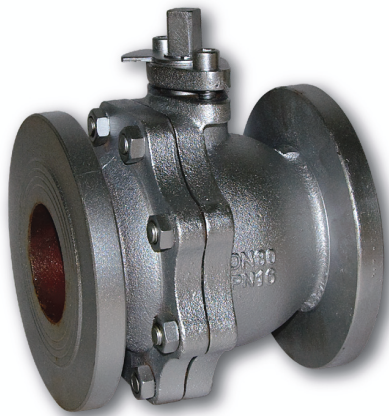
CAST IRON BALL VALVE - Flanged PN16

SPECIFICATIONS

Design and Manufacture	: BS5159
Face to Face	: BS4460
End Flange dimensions	: BS4504
Working Pressure	: 1.6MPa
Pressure Test	: BS6755

MATERIALS OF CONSTRUCTION

Part N°	Name Of Part	Material
1	Body	Gray Cast Iron (ASTM A126-B)
2	Bonnet	Gray Cast Iron (ASTM A126-B)
3	Nut	Carbon Steel (ASTM A307)
4	Bolting	Carbon Steel (ASTM A307)
5	Ball	Stainless Steel (A182 F304)
6	Seat	PTFE
7	Gasket	PTFE
8	Stem	Stainless Steel (A182 F304)
9	Stem Packing	PTFE
10	Gland Flange	Gray Cast Iron (ASTM A126-B)
11	Gland Bolt	Carbon Steel (ASTM A307)
12	Stop Collar	Carbon Steel
13	Lever	Steel
14	Circlip	Carbon Steel



DIMENSIONS (in mm)

Size (inch)	1/2"	3/4"	1"	1 1/4"	1 1/2"	2"	2 1/2"	3"	4"	5"	6"	8"
DN	15	20	25	32	40	50	65	80	100	125	150	200
d	15	20	25	32	40	50	65	80	100	125	150	200
L	108	117	127	140	165	178	190	203	229	356	394	457
H	78	113	107	113	130	146	176	222	222	250	275	-
W	130	160	160	160	250	250	350	350	400	500	600	-
R	45	58	68	78	88	102	122	138	158	188	212	268
C	65	75	85	100	110	125	145	160	180	210	240	295
D	95	105	115	140	150	165	185	200	220	250	285	340
b	14	16	16	18	18	20	20	22	24	26	26	30
N-h	4-Ø14	4-Ø14	4-Ø14	4-Ø18	4-Ø18	4-Ø18	4-Ø18	8-Ø18	8-Ø18	8-Ø18	8-Ø22	12-Ø22
f	2	2	2	2	3	3	3	3	3	3	3	3