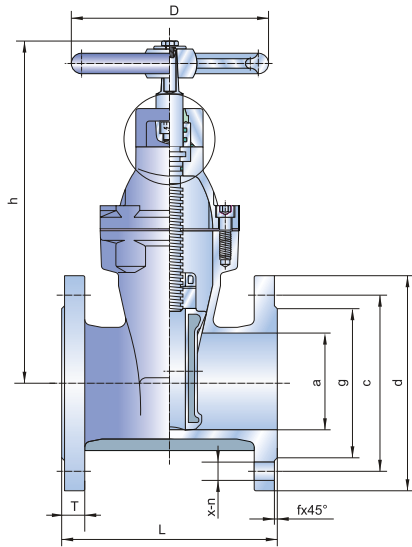




CAST IRON RSV GATE VALVE - PN16



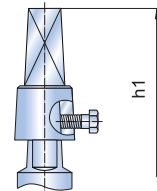
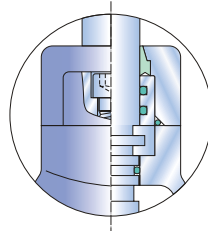
SPECIFICATIONS

Size	DN40 - DN600
Class	PN10 - PN16
Design	BS 5163
Face to Face	BS 5163 / ISO 5752 3 Series
End Flange	BS 4504 / BS EN 1092
Test	BS 5163

MATERIALS OF CONSTRUCTION

ITEM	PART NAME	MATERIAL
1	Body	Ductile Iron*
2	Disc	Ductile Iron + NBR / EPDM
3	Bonnet	Ductile Iron
4	Stem	Stainless Steel
5	Stem Nut	Brass
6	Holding Ring	Brass
7	Sealing Ring	Brass
8	Gland	Ductile Iron
9	Handwheel	Ductile Iron
10	Bonnet Gasket	NBR / EPDM
11	O Ring	NBR
12	Dust Ring	NBR
13	Bonnet Bolts	Stainless Steel

* Cast Iron on request



DIMENSIONS (in mm)

DN	OUTLINE				END FLANGE BS PN10/16								WEIGHT in kilograms
	L	h	D	h1	a	d	c	x-n	T	g	g		
40	165	275	180	345	40	150	110	4-Ø19	19	84	3	12	
50	178	280	180	350	50	165	125	4-Ø19	19	99	3	13	
65	190	300	180	370	65	185	145	4-Ø19	19	118	3	15	
80	203	335	205	405	80	200	160	8-Ø19	19	132	3	22	
100	229	341	240	411	100	220	180	8-Ø19	19	156	3	26	
125	254	430	240	500	125	250	210	8-Ø19	19	184	3	35	
150	267	485	280	555	150	285	240	8-Ø23	19	211	3	50	
200	292	580	320	650	200	340	295	8-Ø23 12-Ø23	20	266	3	75	
250	330	680	360	750	250	395	405 350 355	12-Ø23 12-Ø28	22	319	3	125	
300	356	785	450	855	300	445	460 400 410	12-Ø23 12-Ø28	24.5	370	4	174	
350	381	880	500	950	350	505	520 460 470	16-Ø23 16-Ø28	26.5	429	4	320	
400	406	990	560	1060	400	565	580 515 525	16-Ø28 16-Ø31	28	480	4	430	
450	432	1120	560	1200	450	615	640 565 585	20-Ø28 20-Ø31	30	530 548	4	540	
500	457	1220	650	1300	500	670	715 620 650	20-Ø28 20-Ø34	31.5	582 609	4	690	
600	508	1370	650	1470	600	780	840 725 770	20-Ø31 20-Ø37	36	682 720	5	840	