

FORGED STEEL CHECK VALVE - CL800/1500

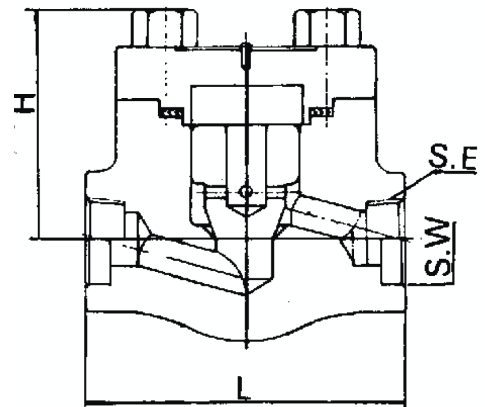
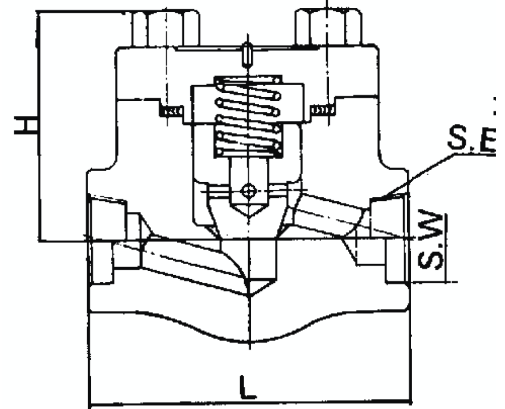


SPECIFICATIONS

| | |
|------------------------|---------------------|
| Design | ANSI B16.34/API 602 |
| Test | API 598 |
| Socket Weld End | ANSI B16.11 |
| Screwed End | ANSI B1.20.1 |

MATERIALS OF CONSTRUCTION

| Part Name | Standard | NACE | Low Temp. NACE |
|------------|----------------------------------|----------------|----------------|
| Body | A105 | A105 | LF2 |
| cover | A105 | A105 | LF2 |
| Disc | F6 | F6 | 316 |
| Cover Bolt | B7 | B7M | L7M |
| Gasket | 304 + Graphite | 316 + Graphite | |
| | 316 Soft Steel Ring (Class 2500) | | |
| Nameplate | Aluminium | | |



DIMENSIONS & WEIGHTS - Class 800

| Nominal Diameter (REDUCED PORT) | 15(1/2") | 20(3/4") | 25(1") | 32(1 1/4") | 40(1 1/2") | 50(2") | - |
|---------------------------------|----------|----------|----------|------------|------------|------------|--------|
| Nominal Diameter (FULL PORT) | - | 15(1/2") | 20(3/4") | 25(1") | 32(1 1/4") | 40(1 1/2") | 50(2") |
| d (mm) | 10 | 13 | 17 | 23 | 30 | 37 | 46.5 |
| L (mm) | 79 | 92 | 111 | 120 | 152 | 172 | 200 |
| H (mm) | 61 | 61 | 78 | 84 | 103 | 118 | 132 |
| Weight (kgs) | 1.2 | 1.4 | 2.3 | 3.9 | 5.6 | 8.9 | 12.5 |

DIMENSIONS & WEIGHTS - Class 1500

| Nominal Diameter (REDUCED PORT) | 15(1/2") | 20(3/4") | 25(1") | 32(1 1/4") | 40(1 1/2") | 50(2") |
|---------------------------------|----------|----------|----------|------------|------------|------------|
| Nominal Diameter (FULL PORT) | - | 15(1/2") | 20(3/4") | 25(1") | 32(1 1/4") | 40(1 1/2") |
| d (mm) | 10 | 13 | 17 | 23 | 30 | 37 |
| L (mm) | 111 | 111 | 130 | 152 | 172 | 220 |
| H (mm) | 79 | 79 | 97 | 104 | 120 | 139 |
| Weight (kgs) | 3.0 | 3.4 | 4.8 | 6.9 | 10.7 | 14.6 |