

FORGED STEEL GLOBE VALVE - CL800/1500

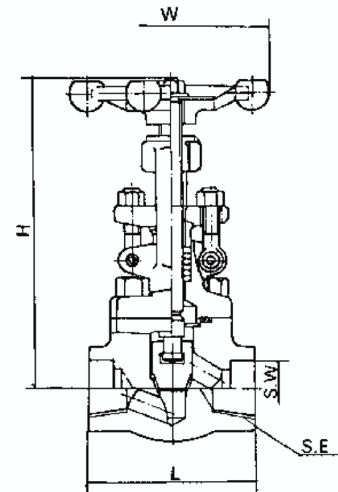


SPECIFICATIONS

Design	ANSI B16.34/API 602
Test	API 598
Socket Weld End	ANSI B16.11
Screwed End	ANSI B1.20.1

MATERIALS OF CONSTRUCTION

Part Name	Standard	NACE	Low Temp. NACE
Body	A105	A105	LF2
Bonnet	A105	A105	LF2
Stem	F6	F6	316
Disc	F6	F6	316
Bonnet Bolt	B7	B7M	L7M
Gasket	304 + Graphite	316 + Graphite	
	316 Soft Steel Ring (Class 2500)		
Gland	F6	316	316
Packing	Graphite		
Gland Flange	WCB		
Gland Bolt	B7	B7M	L7M
Gland Bolt Nut	2H	2HM	2HM
Gland Bolt Pin	410	410	304
Sleeve	410		
Handwheel	A197		
Nameplate	Aluminium		
Handwheel Washer	A108-1020		
Handwheel Nut	A194-2H		



DIMENSIONS & WEIGHTS - Class 800

Nominal Diameter (REDUCED PORT)	15(1/2")	20(3/4")	25(1")	32(1 1/4")	40(1 1/2")	50(2")	-
Nominal Diameter (FULL PORT)	-	15(1/2")	20(3/4")	25(1")	32(1 1/4")	40(1 1/2")	50(2")
d (mm)	10	13	17	23	30	37	46
L (mm)	79	92	111	130	152	172	200
H (Open, mm)	176	176	212	230	254	294	327
W (mm)	100	100	125	160	160	180	200
Weight (kgs)	1.9	2.1	3.9	5.8	7.2	10.8	16

DIMENSIONS & WEIGHTS - Class 1500

Nominal Diameter (REDUCED PORT)	15(1/2")	20(3/4")	25(1")	32(1 1/4")	40(1 1/2")	50(2")
Nominal Diameter (FULL PORT)	-	15(1/2")	20(3/4")	25(1")	32(1 1/4")	40(1 1/2")
d (mm)	10	13	17	23	30	37
L (mm)	111	111	130	130	172	220
H (Open, mm)	207	207	240	240	290	337
W (mm)	125	125	160	160	180	200
Weight (kgs)	4.7	4.6	6.8	9.2	13.6	20.9