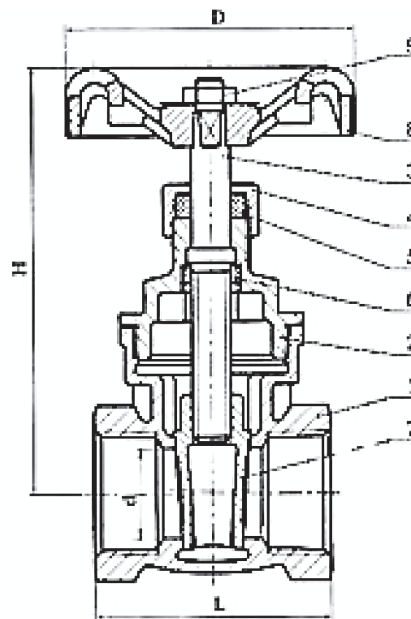
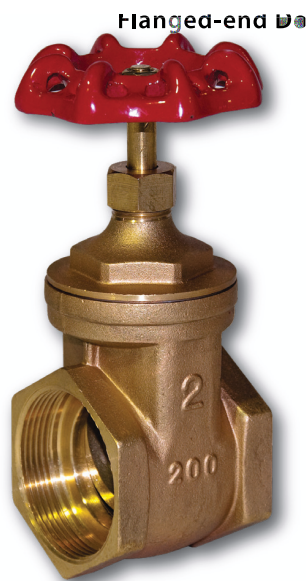




## PARALLEL SLIDE GATE VALVES CLASS 150

### SPECIFICATIONS

Pressure Rating	:	Class 150
Working Medium	:	Steam ,
UK End Connection	:	BS21



### DIMENSIONS (in mm)

DN	d	L	H	D
15	12.7	43	72	55
20	17	45	77	55
25	21	52	87	60
32	25	55	95	60
40	32	66	110	72
50	38	76	124	80

### MATERIALS OF CONSTRUCTION

Number	Description	Materials
1	Body	Brass CW617N
2	Bonnet	Brass CW617N
3	Stem	Brass CW617N
4	Packing Nut	Brass CW617N
5	Packing	P.T.F.E
6	Stem Bush	Brass CW617N
7	Disc	Brass CW617N
8	Handwheel	Cast-iron
9	Handwheel Nut	Stainless Steel