



CAST IRON Y-STRAINER FLANGED - PN16

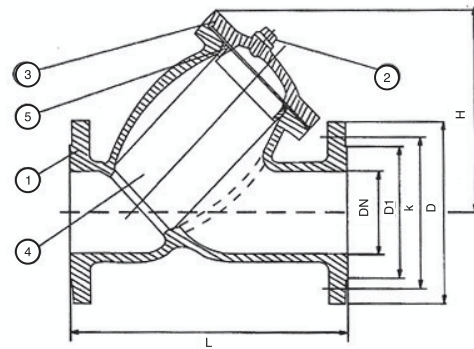
SPECIFICATIONS

Face to Face dimensions according to DIN3202, F1

Flange dimensions according to DIN2501 PN 10/PN16

Nominal Pressure PN10/PN16

Size of Mesh screens can be supplied according to customers requirements



DIMENSIONS (in mm)

DN	40	50	65	80	100	125	150	200	250	300	350	400
L	200	230	290	310	350	400	480	600	600	650	980	1100
≈H	105	170	205	210	235	270	310	390	430	500	670	780
D	150	165	185	200	220	250	285	340	405	460	520	580
K	110	125	145	160	180	210	240	395	355	410	470	525
D1	88	102	122	138	158	188	212	268	320	378	438	490

MATERIALS OF CONSTRUCTION

Nº	Part	Material	Standard
1	Body	Cast Iron or Ductile Iron	GG25 or GGG40
2	Plug	Cast Iron or Ductile Iron or Steel	GG25 or GGG40
3	Cover	Cast Iron or Ductile Iron	GG25 or GGG40
4	Screen	Stainless Steel	304SS
5	Gasket	Graphite or Rubber	